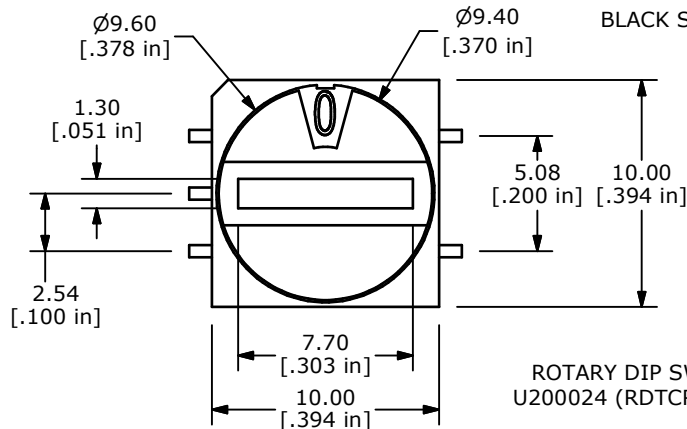


REAL CODE

|   |   |   |   |
|---|---|---|---|
|   | C | 1 | 2 |
| 0 | ● |   |   |
| 1 | ● | ● |   |
| 2 | ● |   | ● |
| 3 | ● | ● | ● |

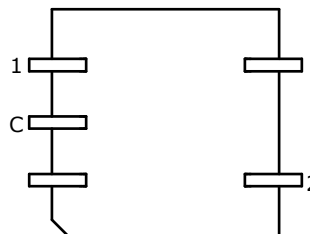
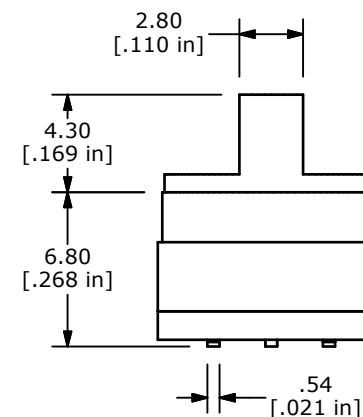
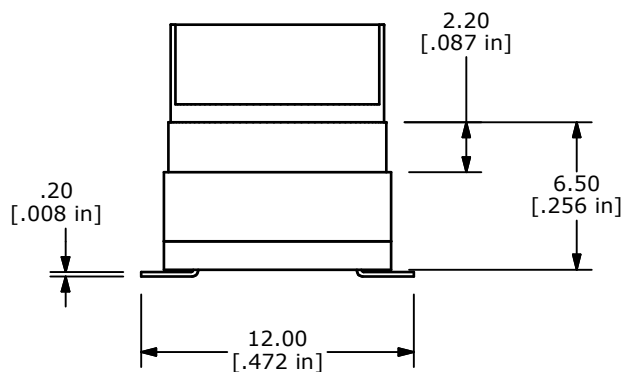
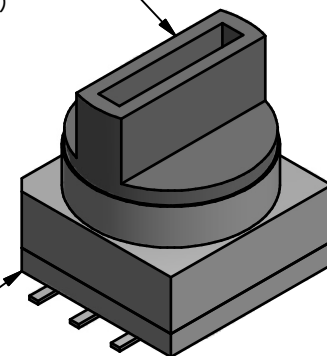
NOTES:

1. ALL DIMENSIONS IN MM [INCH]
2. GENERAL TOLERANCE: X.X=± 0.4  
X.XX=± 0.25
3. TERMINAL NUMBERS FOR REFERENCE ONLY
4. OPERATING FORCE: 700gf-cm MAX.
- ▲ 5. CONTACT RATING: 150mA, 42V DC (SWITCHING)  
200mA 42V DC (NON-SWITCHING)
6. CONTACT RESISTANCE: 80mΩ MAX.
7. INSULATION RESISTANCE: 100MΩ MIN @ 250VDC
8. DIELECTRIC STRENGTH: 250VAC 1 MIN.
9. LIFE: 10,000 STEPS
10. OPERATING TEMPERATURE: -40°C TO 85°C
- ▲ 11. PACKAGING: 50 PIECES PER TUBE
12. IP RATING: NONE
13. ▲ DENOTES CRITICAL PARAMETER
14. 2002/95/EC (ROHS) COMPLIANT



ROTARY DIP SWITCH  
U200024 (RDTCR04S2R)

BLACK SEGMENT WHEEL ACTUATOR  
U200101 (RDTK)



**IMPORTANT ASSEMBLY NOTE:**

THE SEGMENT WHEEL ACTUATOR IS SHIPPED SEPARATELY FROM THE SWITCH AND MUST BE ASSEMBLED AFTER SOLDERING. THE SEGMENT WHEEL ACTUATOR CANNOT WITHSTAND THE HIGH TEMPERATURES OF AUTOMATED SOLDERING.



TITLE RDTKR04S2T

|     |        |                       |        |     |
|-----|--------|-----------------------|--------|-----|
| A   | 21092  | RELEASE TO PRODUCTION | 4/4/13 | EBP |
| REV | PCR NO | DESCRIPTION           | DATE   | BY  |

THE INFORMATION CONTAINED IN THIS DOCUMENT IS PROPRIETARY TO E-SWITCH AND IS NOT TO BE COPIED OR TRANSFERRED

|       |          |     |         |     |
|-------|----------|-----|---------|-----|
| SCALE | DATE     | DR  | DWG     | REV |
|       | 4/4/2013 | EBP | U200025 | A   |